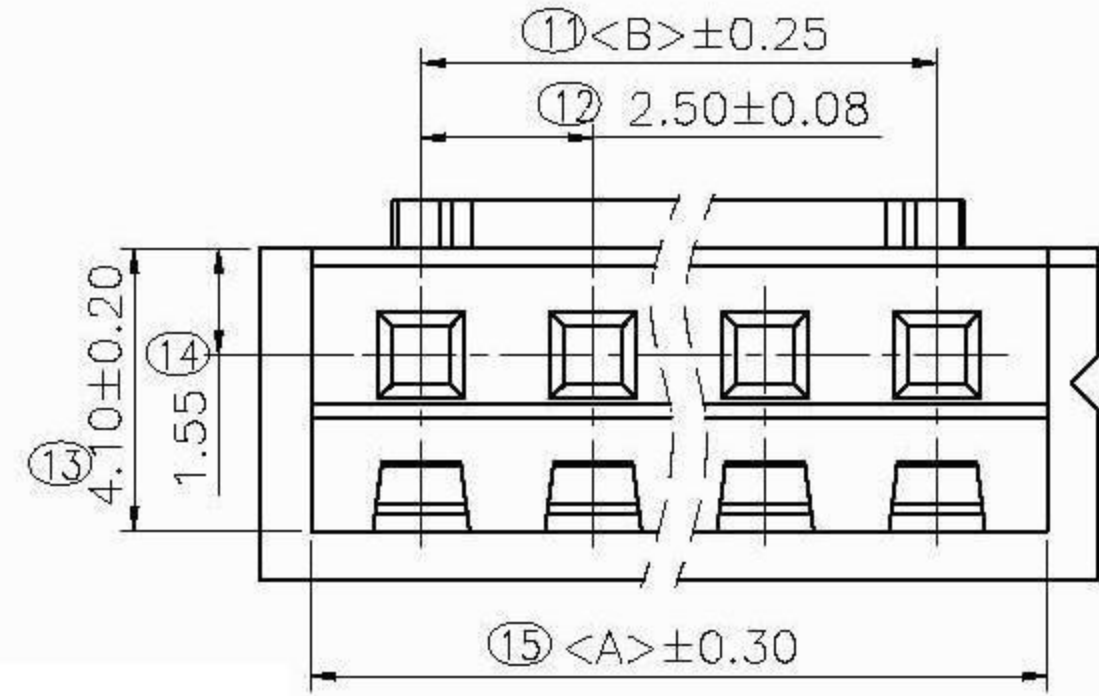
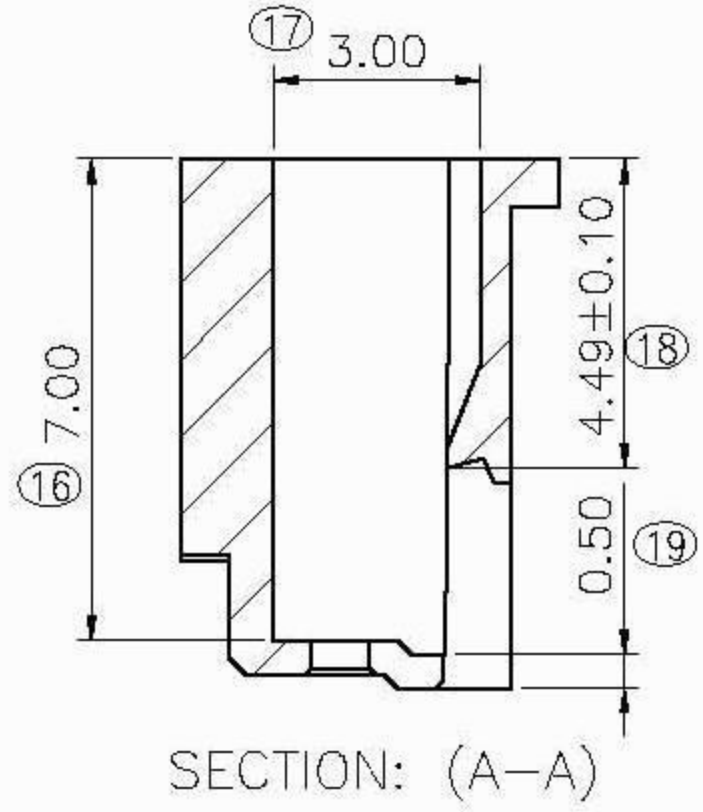
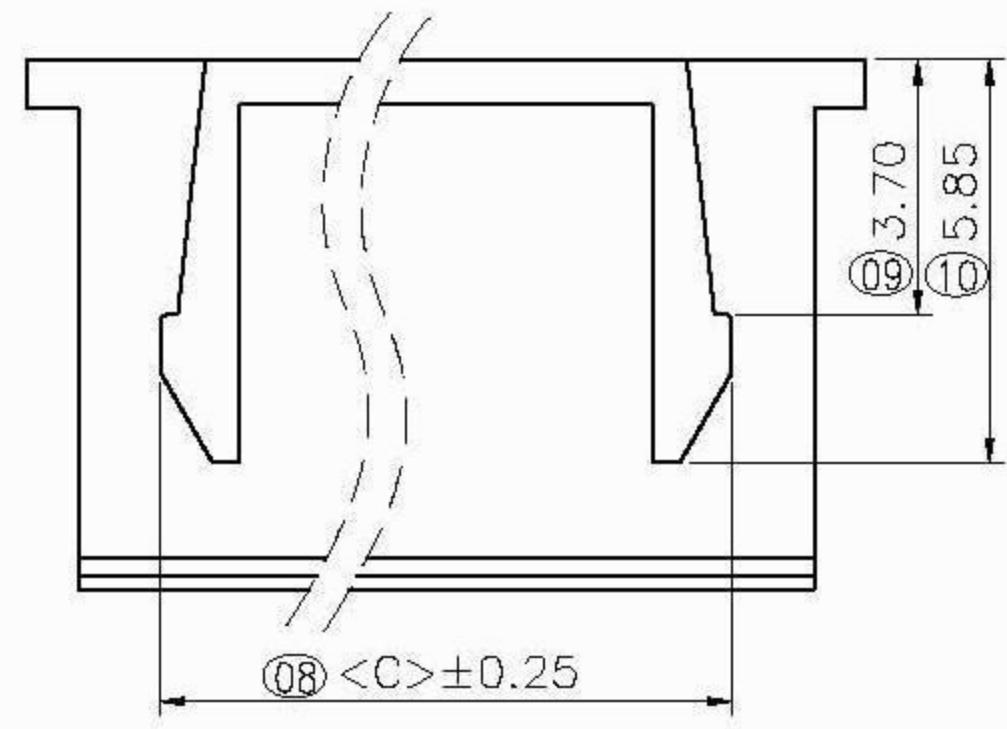
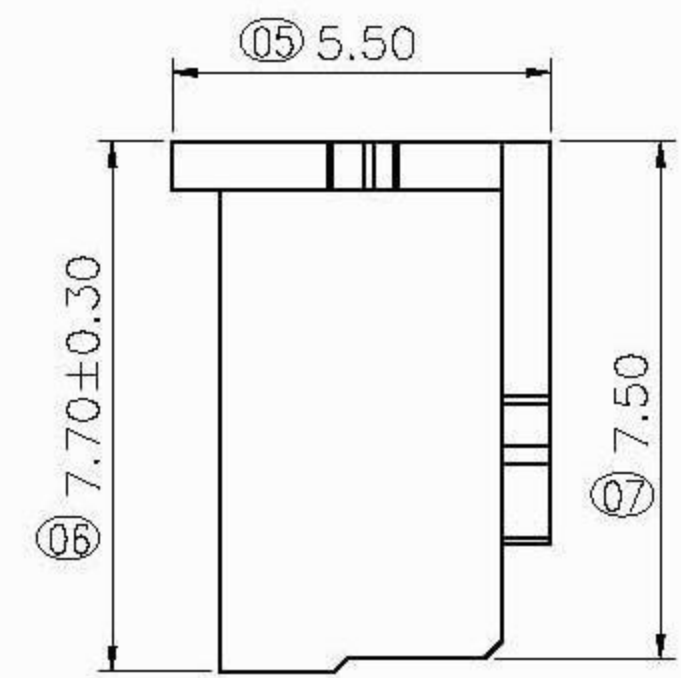


NOTES:
 CURRENT RATING: 3A AC/DC.
 VOLTAGE RATING: 250V AC/DC.
 TEMPERATURE RANGE: $-25^{\circ}\text{C} \sim +85^{\circ}\text{C}$.
 CONTACT RESISTANCE: 20mΩ MAX.
 INSULATION RESISTANCE: 1000MΩ MIN.
 WITHSTANDING VOLTAGE: 800V AC/MINUTE.



PART NO.	DIMENSIONS		
	A	B	C
WF2501H02	5.7	2.5	3.3
WF2501H03	8.2	5.0	5.8
WF2501H04	10.7	7.5	8.3
WF2501H05	13.2	10.0	10.8
WF2501H06	15.7	12.5	13.3
WF2501H07	18.2	15.0	15.8
WF2501H08	20.7	17.5	18.3
WF2501H09	23.2	20.0	20.8
WF2501H10	25.7	22.5	23.3
WF2501H11	28.2	25.0	25.8
WF2501H12	30.7	27.5	28.3
WF2501H13	33.2	30.0	30.8
WF2501H14	35.7	32.5	33.3
WF2501H15	38.2	35.0	35.8
WF2501H16	40.7	37.5	38.3

GXCON ENTERPRISE CO., LTD

DRAW NO.	DATE	P/N NO:	DRAW NAME:
DESIGN:		WF2501HXX	XH 2.5 HSG
CHECK:		REV. D	SCALE 1:1
REVIEW:		UNIT: mm	SHEET: 1 OF 1

DIM	TOL	DIM	TOL
X.	/	X'	/
X.X	± 0.25	X.X'	$\pm 2'$
X.XX	± 0.20	X.XX'	$\pm 1'$
X.XXX	± 0.10	X.XXX'	/